

HAZARDOUS LOCATION VALVES



Series 80 >> Model E828

Large Orifice, Internally Piloted – 2-Way Normally Closed Valve

PeterPaul offers a line of large orifice solenoid valves to address process industry requirements for high flow rate or quick dump and fill capacity. These AC or DC powered valves are also suited for low pressure gas and liquid applications. Port sizes for pilot lift, two way normally closed versions range from 1/2" to 3" NPT, with pressure ratings from 3 to 200 PSI.

- Large orifice sizes for high flow applications.
- Body is made of brass forgings or 316 stainless steel.
- Operates on differential pressure – Internal Pilot.
- NPT threaded connections.
- Same coils and housings as our popular 20 Series.

OPERATING CONDITIONS

Media: Air, water, and other fluids are compatible with Buna seals. Hot water, steam, gasoline and many oils require other seal materials. Consult representative or factory. (Series 80 pressure ratings may change due to the viscosity of the liquid.)*

Valve Temperature Range: Standard Valves - 0°F (-18°C) to 104°F (40°C) ambient; 0°F (-18°C) to 150°F (65°C) media. Optional Valves - can tolerate much higher or much lower ambient and media temperatures.*

Maximum Operating Pressure Differentials: See table on next page.

Minimum Operating Pressure Differentials: 3 PSI

Leakage: Bubble tight

ELECTRICAL CHARACTERISTICS

Coil Voltage: 6 to 825 VAC 60 HZ. and 5 to 720 VAC 50 HZ. – 1.8 to 265 VDC

Nominal Power: AC – 7.7 Watts, DC – 9.5 Watts

Coil Construction: Molded (Std.) and Potted Class F or Class H (Opt.)

Typical Response Time on Air: 4 - 16 Milliseconds

Operating Speed: Up to 100 CPM

Duty Cycle: Continuous

MECHANICAL CHARACTERISTICS

Body: Brass (Std.) – Stainless Steel (Opt.)

Internal Components: Stainless Steel (Std.). Copper - AC Only.

Elastomers: Nitrile (Buna) (Std.). Many other elastomers available.*

Housing: 1/2" NPT conduit

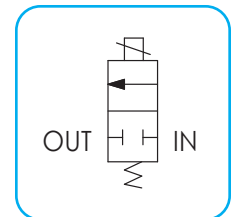
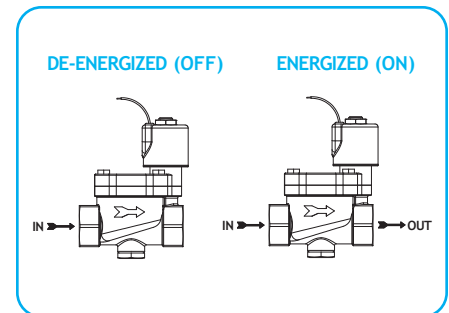
Listings: Valves are UL listed and CSA certified for Hazardous Locations – Class I, Div 1, Group C and D - Class II, Div 1, Group E, F, and G; Div 2, Groups C, D, E, F, and G.

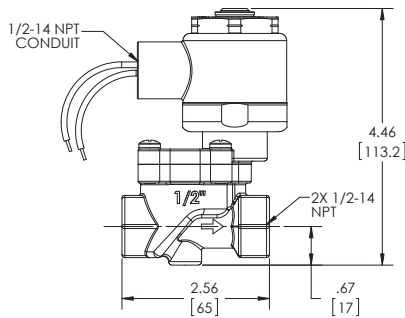
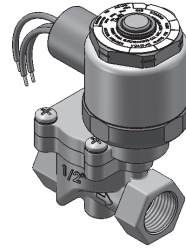
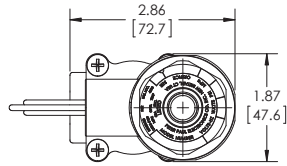
Life Expectancy: Millions of cycles, depending on application, lubrication, etc.

Repair Kits: See table on next page.

Options: Alternate Elastomers and Manual Override

* Consult representative or factory for options and specifications.





**SERIES 80
MODEL E827
1/2 NPT PORTS
2WNC INTERNAL PILOT
EXPLOSION PROOF**

VALVE SPECIFICATIONS

MAX. OPER. PRESS. DIFF.		MIN. OPER. PRESS. DIFF.	ORIFICE SIZE	CV FACTOR	PIPE SIZE	VALVE NUMBER
AC	DC		N.C	N.C.		
200	200	3	1/2	4.0	1/2 NPT	E828B12DCCM
200	200	3	3/4	5.8	3/4 NPT	E828Y19DCCM
200	200	3	1	13.0	1 NPT	E828D13DCCM
200	200	3	1 1/2	29.0	1 1/2 NPT	E828E14DCCM
200	200	3	2	46.0	2 NPT	E828F16DCCM
200	200	3	3	76.0	2 1/2 NPT	E828W17DCCM
200	200	3	3	98.0	3 NPT	E828W18DCCM

ORDERING INFORMATION:

WHEN ORDERING VALVES OR REPAIR PACKS ADD VOLTAGE AND FREQUENCY TO COMPLETE VALVE NUMBER. EXAMPLES: VALVE (E828B12DCCM 120/60) REPAIR PACK (2KE828B12DD AC)

NO OPERATOR AVAILABLE