

HAZARDOUS LOCATION VALVES



Series 70 >> Model N73

Hazardous Location – 3-Way Normally Closed Exhaust to Atmosphere

The N70 line Peter Paul Hazardous location valves are UL listed and certified for non-incendive hazardous location Class 1, Div 2, Groups A, B, C and D; Class 2, Div 2, Groups E, F and G; T3C temperature rating.

- **Largest direct acting (non-piloted) valve we manufacture.**
- **Large orifice.**
- **High flow.**
- **Will operate effectively at very low pressures or vacuum.**

Note: This valve also available as an operator. Refer to following page.

OPERATING CONDITIONS

Media: Air, water, and other fluids are compatible with standard Buna seals. Hot water, steam, gasoline, and many oils require other seal materials. (Series 70 pressure ratings may change due to the viscosity of the liquid.)*

Valve Temperature Range: Standard Valves - 0°F (-18°C) to 104°F (40°C) ambient; 0°F (-18°C) to 150°F (65°C) media. Optional Valves - can tolerate much higher or much lower ambient and media temperatures.*

Maximum Operating Pressure Differentials: See table on next page.

Burst Pressure: 4,000 PSI

Leakage: Bubble tight for standard valves.

Vacuum: To 5 Microns*

ELECTRICAL CHARACTERISTICS

Coil Voltage: 12 to 1150 VAC 60 HZ. and 11 to 1035 VAC 50 HZ. – 2.5 to 220 VDC

Nominal Power: AC – 18.0 Watts, DC – 16.0 Watts

Coil Construction: Potted Class F or Class H (Opt.)

Typical Response Time on Air: 4 - 16 Milliseconds

Operating Speed: Up to 600 CPM

Duty Cycle: Continuous

MECHANICAL CHARACTERISTICS

Body: Stainless Steel (Std.) or Brass (Opt.)

Internal Components: Stainless Steel

Elastomers: Nitrile (Buna) (Std.). Many other elastomers available.*

Orifice Diameter: See table on next page.

Porting: Standard 1/4" NPT (other ports available).*

Housing: 1/2" NPT conduit*

Listings: Listed and Certified for Non-Incendive Hazardous Locations Class 1, Div 2, Groups A, B, C and D; Class 2, Div 2, Groups E, F and G; T3C Temperature rating.*

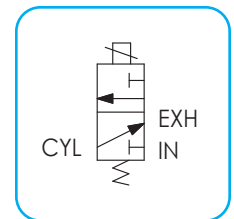
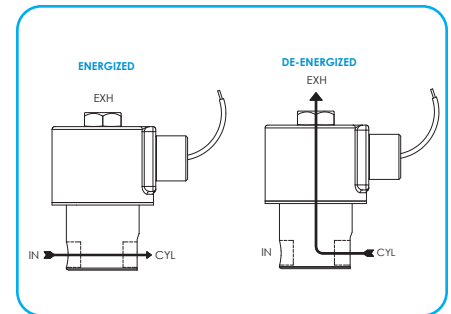
Life Expectancy: Millions of cycles, depending on application, lubrication, etc.

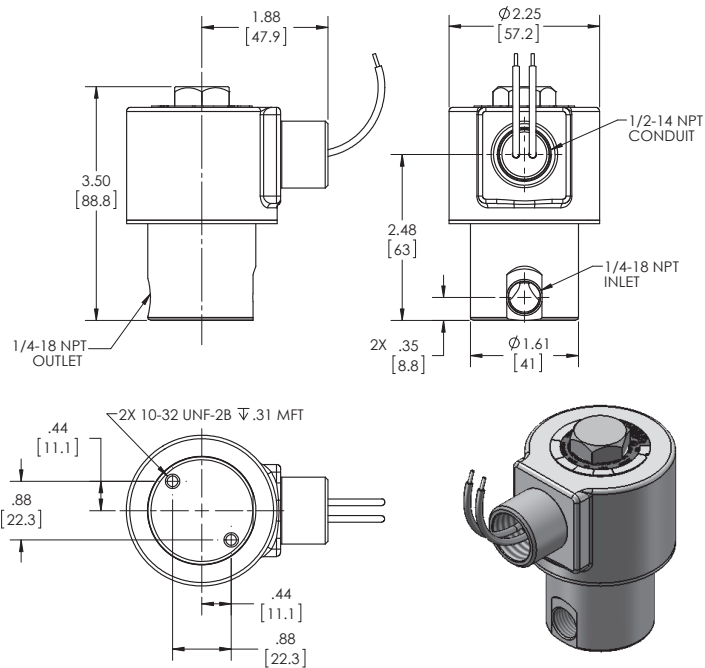
Valve Weight: Conduit Valve: 2.06 lb

Repair Packs: See table on next page.

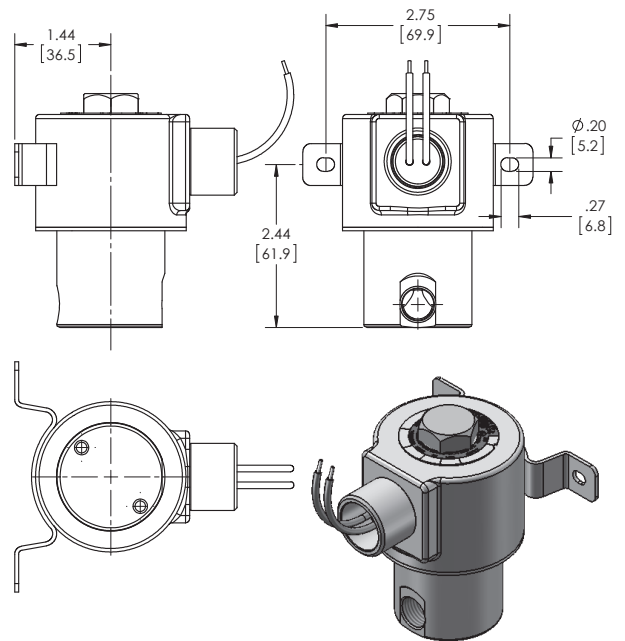
Options: Alternate Port Locations, Metering and Alternate Elastomers

* Consult representative or factory for options and specifications.





**SERIES N70
MODEL N73 1/4-18 NPT
3WNC EXHAUST TO ATMOSPHERE
CONDUIT CONNECTION**



**SERIES N70
MODEL N73 1/4-18 NPT
3WNC EXHAUST TO ATMOSPHERE
CONDUIT WITH BRACKET**

VALVE SPECIFICATIONS

MAX. OPER. PRESS. DIFF.		ORIFICE SIZE		CV FACTOR		VALVE NUMBER
AC	DC	N.C.	N.O.	N.C.	N.O.	CONDUIT HOUSING
1/4 NPT PORTS						
350	350	1/16	1/16	.09	.09	N73JJ9DCP
250	250	3/32	3/32	.22	.22	N73KK9DCP
175	175	1/8	1/8	.35	.35	N73NN9DCP
125	125	5/32	5/32	.45	.45	N73OO9DCP
100	100	3/16	3/16	.50	.50	N73PP9DCP
50	50	1/4	3/16	.78	.50	N73RP9DCP

ORDERING INFORMATION:

WHEN ORDERING VALVES OR REPAIR PACKS ADD VOLTAGE AND FREQUENCY TO COMPLETE VALVE NUMBER. EXAMPLES: VALVE (N73OO9ZCP 120/60) REPAIR PACK (KN73OOD AC)

WHEN ORDERING OPERATORS ADD THE LETTER "O" TO THE FRONT OF THE VALVE NUMBER, REPLACE BODY PORT NUMBER WITH THE LETTER "D": EXAMPLE: OPERATOR (ON73OO9DCP 120/60)