

# MAGNET LATCHING VALVES



## Series 80 >> Model 828

### Large Orifice, Internally Piloted –2-Way Normally Closed Magnet Latching Valve

Peter Paul offers a line of large orifice solenoid valves to address process industry requirements for high flow rate or quick dump and fill capacity. These DC powered valves are also suited for low pressure gas and liquid applications. Port sizes for pilot lift, two way normally closed versions range from 1/2" to 3" NPT, with pressure ratings from 3 to 200 PSI.

- Large orifice sizes for high flow applications.
- Body is made of brass forgings or 316 stainless steel.
- Operate on differential pressure – Internal Pilot.
- NPT threaded connections.
- Same coils and housings as our popular 20 Series.

## OPERATING CONDITIONS

**Media:** Air, water, and other fluids compatible with Buna seals. Hot water, steam, gasoline and many oils require special seal materials. Consult representative or factory. (Series 80 pressure ratings may change due to the viscosity of the liquid.)\*

**Valve Temperature Range:** Standard Valves - 0°F (-18°C) to 104°F (40°C) ambient; 0°F (-18°C) to 150°F (65°C) media. Optional Valves - can tolerate much higher or much lower ambient and media temperatures.\*

**Maximum Operating Pressure Differentials:** See table on proceeding page.

**Minimum Operating Pressure Differentials:** 3 PSI

**Leakage:** Bubble tight

## ELECTRICAL CHARACTERISTICS

**Coil Voltage:** 3.6 to 28V DC

**Nominal Power:** DC – 10 Watts

**Coil Construction:** Molded

**Operating Speed:** Up to 100 CPM

## MECHANICAL CHARACTERISTICS

**Body:** Brass (Std.), Stainless Steel (Opt.)

**Internal Components:** Stainless Steel (Std.)

**Elastomers:** Nitrile (Buna) (Std.). Many other elastomers available.\*

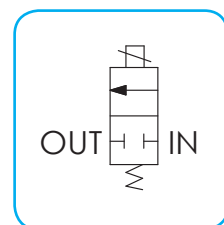
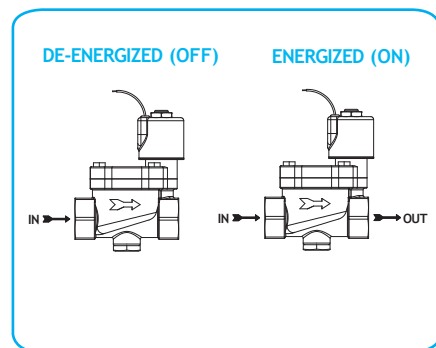
**Housing:** Lead Wires and DIN Style Connector

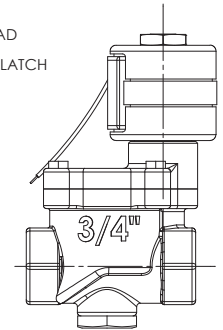
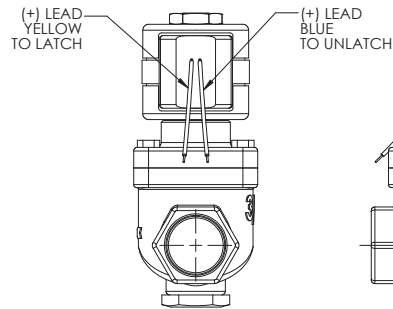
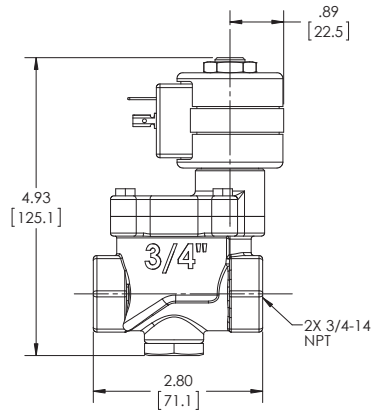
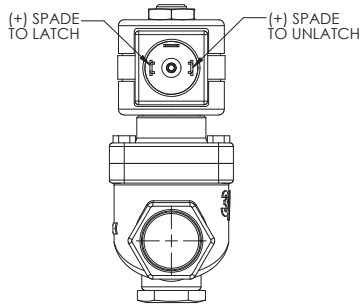
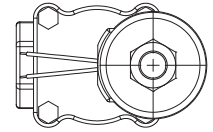
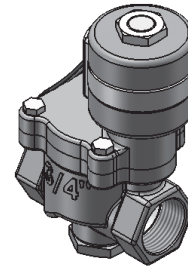
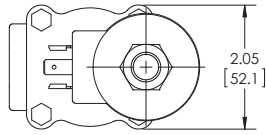
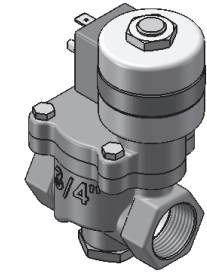
**Life Expectancy:** Millions of cycles, depending on application, lubrication, etc.

**Repair Packs:** See table on proceeding page.

**Options:** Alternate Elastomers

\* Consult representative or factory for options and specifications.





**SERIES 80 MODEL 828  
2WNC INTERNAL PILOT  
MAGNETIC LATCHING DIN COIL  
3/4" NPT PORTS**

**SERIES 80 MODEL 828  
2WNC INTERNAL PILOT  
MAGNETIC LATCHING COIL WITH LEADS  
3/4" NPT PORTS**

## VALVE SPECIFICATIONS

MAX. OPER. PRESS. DIFF. DC	MIN. OPER. PRESS. DIFF.	ORIFICE SIZE N.C.	CV FACTOR N.C.	VALVE NUMBER GROMMET HOUSING	DIN COIL
200	3	1/2	4.0	828B12DGLM	828B12DELM
200	3	3/4	5.8	828Y19DGLM	828Y19DELM
200	3	1	13.0	828D13DGLM	828D13DELM
200	3	1 1/2	29.0	828E14DGLM	828E14DELM
200	3	2	46.0	828F16DGLM	828F16DELM
200	3	2 1/2	76.0	828W17DGLM	828W17DELM
200	3	3	98.0	828W18DGLM	828W18DELM

WHEN ORDERING VALVES OR REPAIR PACKS ADD VOLTAGE AND FREQUENCY TO COMPLETE VALVE NUMBER. EXAMPLES: VALVE (828B12DELM 12/DC) REPAIR PACK (K828BDL-DC)